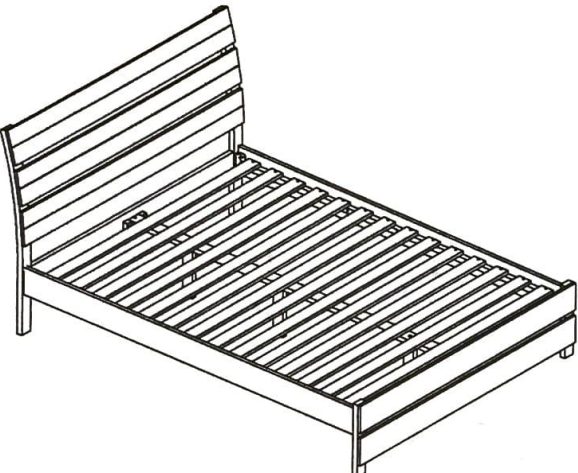
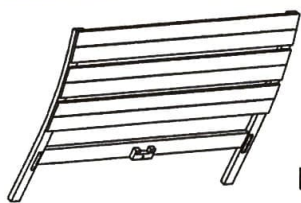

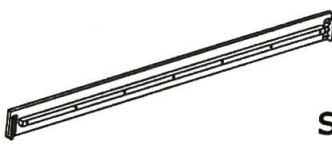









ASSEMBLY INSTRUCTIONS

QUEEN BED-FCVN81

PICTURES	CODE		Q.TY
	A	 Head board	1
	B	 Foot board	1
	C	 Side rails	2
	D	 Supporting slats	1
	E	 Slat	1
	F	 Supporting bars	3

HARDWARES

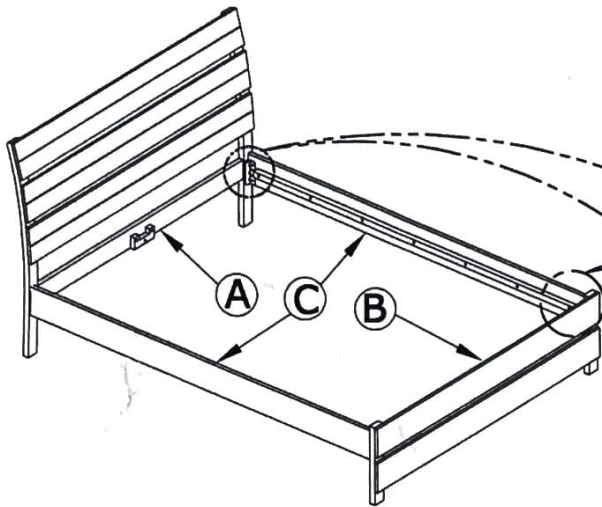
CODE	PICTURES	SIZE	AMOUNT
1		Bolt M6 * 15mm	8
2		Bolt M6 * 40mm	3
3		Screw M4 * 30mm	30
4		Allen Key	1



LEANAN QUEEN BED

ASSEMBLY INSTRUCTIONS

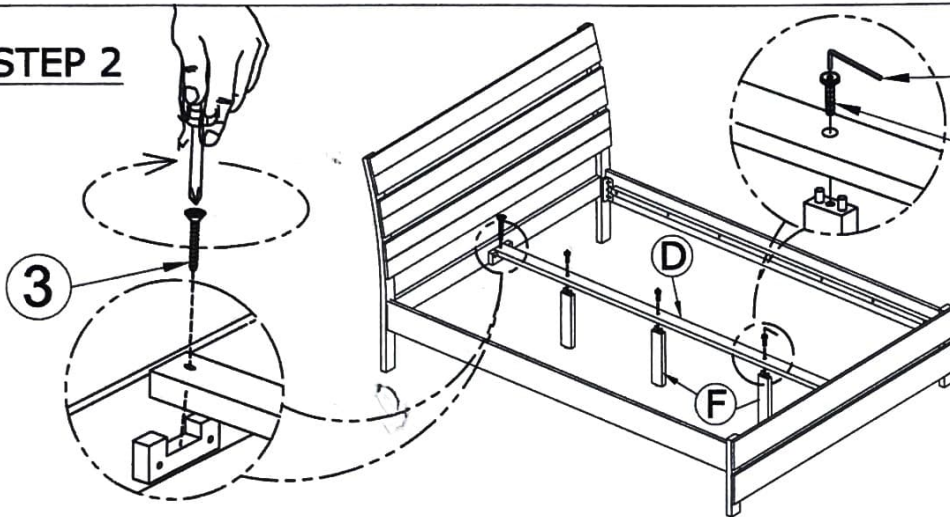
QUEEN BED-FCVN81


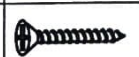

STEP 1



- | | | |
|---|---|---------|
| 1 |  | = 8 Pcs |
| 4 |  | = 1 Pc |

STEP 2



- | | | |
|---|---|---------|
| 2 |  | = 3 Pcs |
| 3 |  | = 2 Pcs |
| 4 |  | = 1 Pc |

STEP 3

